

### Application

Designed for installation on potable water lines to protect against both backsiphonage and backpressure of contaminated water into the potable water supply. Reduced Pressure Zone Device Assembly shall provide protection where a potential health hazard exists. (High Hazard)

### Standards Compliance

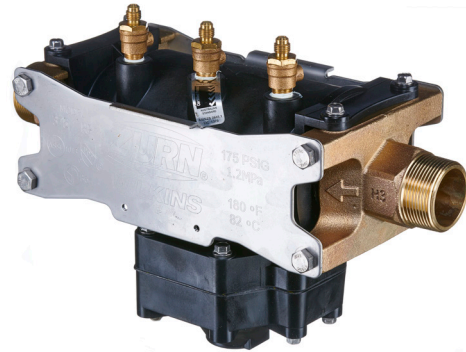
Australian WaterMark and Standards Mark  
 (This product contains a weighted average lead content less than 0.25% for surfaces in contact with water per the requirements of Clause A5G4 of NCC 2022 Vol 3)  
 (Plumbing Code of Australia)



STANDARDS MARK  
 AS/NZS 2845.1  
 LIC. SMK1379

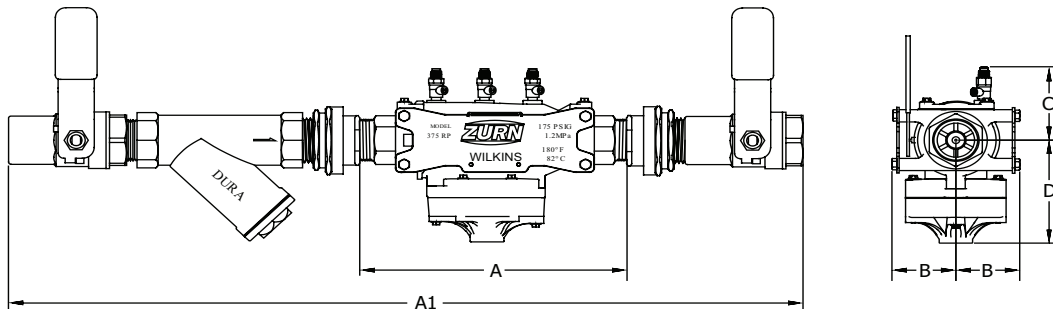
### Materials

Housing	Reinforced Nylon
Fasteners	Stainless Steel, 300 Series
Elastomers	Silicone, Buna Nitrile
Internals	Delrin®, Nylon
Springs	Stainless Steel, 300 series
Tailpieces	Cast Bronze, Lead Free
Struts	Stainless Steel, 300 series
End connections	ISO 7.1 R Tapered Pipe Thread
Test connections	1/4" SAE 45° Flare



### Operating Parameters

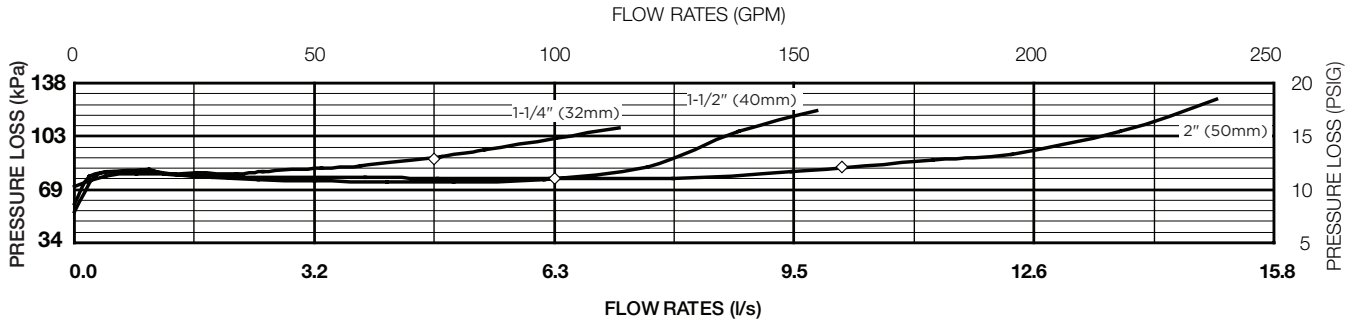
Maximum working water pressure	1200kPa
Maximum working water temperature	82°C
Hydrostatic test pressure	2400kPa



### Dimensions & Weights (do not include pkg.)

VALVE SIZE mm	REECE CODE (valve only)	ZURN CODE (valve only)	DURA INSTALL KIT	DIMENSIONS (approximate)					WEIGHT (valve only) kg
				A mm	A1 mm	B mm	C mm	D mm	
32	4000151	114-375LFTBT	1011846	367	783	86	105	146	8.5
40	1001689	112-375LFTBT	1011847	367	816	86	105	146	8.0
50	1001690	2-375LFTBT	1011848	367	899	86	105	146	8.8

**MODEL 375 32 - 50mm (STANDARD & METRIC)**

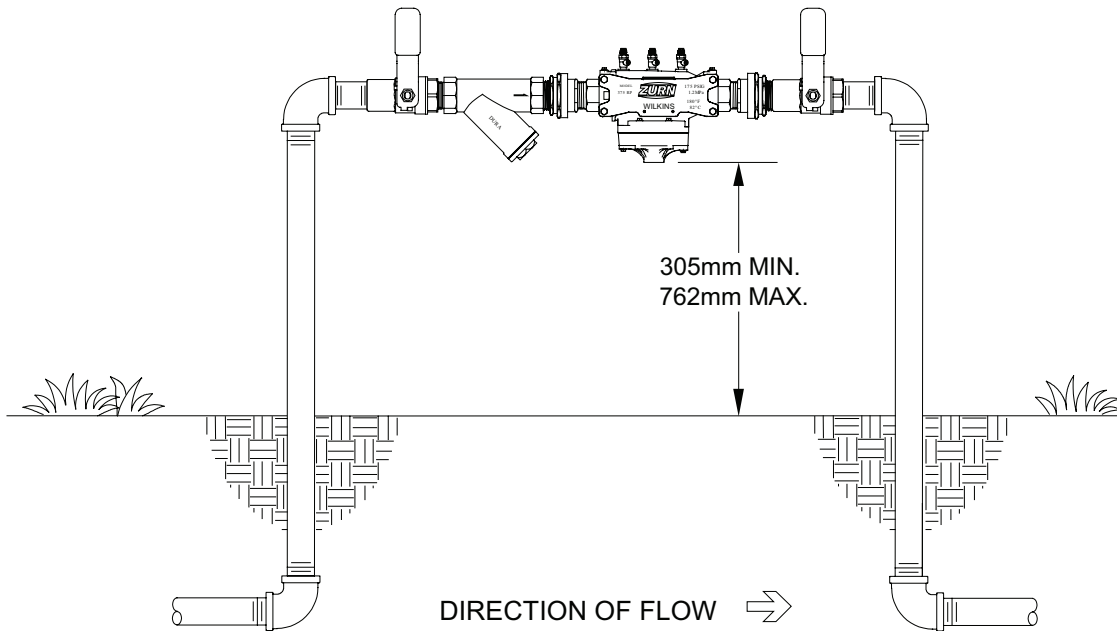
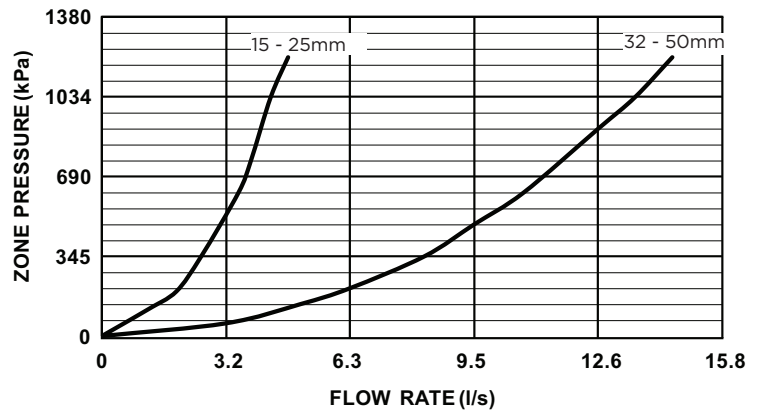


**Typical Installation**

Local codes shall govern installation requirements. To be installed in accordance with the manufacturers' instructions and the latest edition of the Plumbing Code of Australia and/or AS/NZS 3500. Unless otherwise specified, the assembly shall be mounted at a minimum of 12" (305mm) and a maximum of 30" (762mm) above adequate drains with sufficient side clearance for testing and maintenance. The installation shall be made so that no part of the unit can be submerged.

**Relief Valve Discharge Rates**

(Worst case condition- If 1st check or relief valve is lodged wide open)



**TYPICAL INSTALLATION**

**Specifications**

The Reduced Pressure Principle Backflow Preventer shall be Australian WaterMark Certified (AS/NZS 2845.1), rated to 82°C and supplied male pipe thread tailpieces. The main body shall be Nylon and the seat disc elastomers shall be silicone. The Reduced Pressure Principle Backflow Preventer shall be a ZURN WILKINS Model 375.