



DISABLED WALL FACED TOILET PAN Model 304P-WFPD INSTALLATION INSTRUCTIONS

BOX CONTENTS:

- 1 x S/S Disabled Wall Faced Toilet Pan
- 4 x M10x50mm S/S Dynabolts

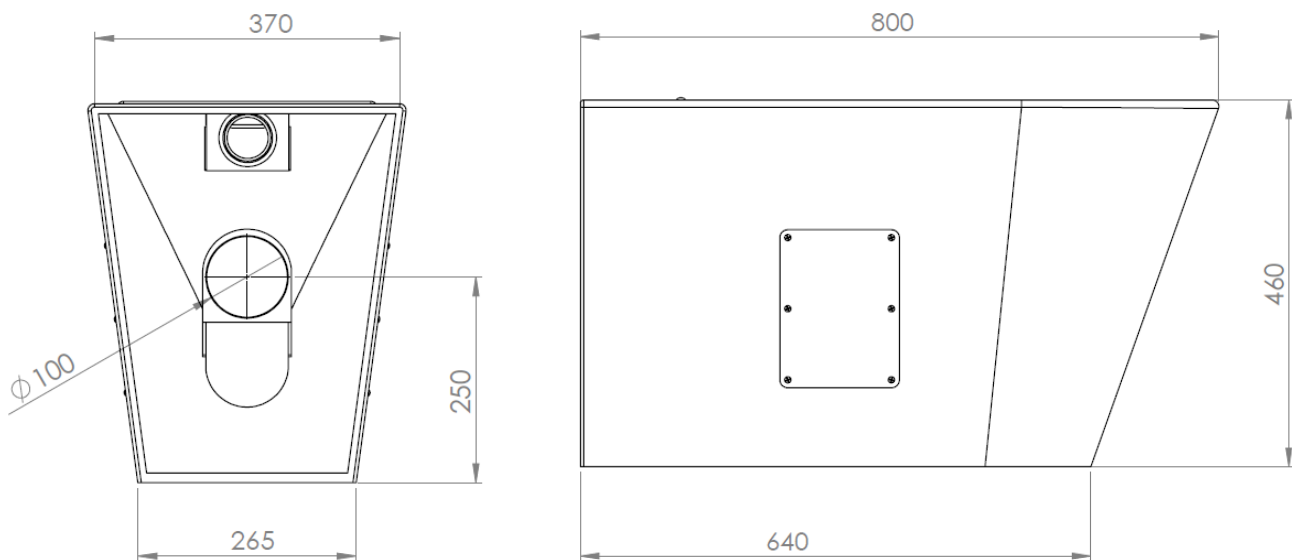
Note: These instructions are to be used in conjunction with the installation instructions from the flushing device manufacturer.

Installation of this product shall be in accordance with the requirements of AS/NZS 3500 series

Please inspect your new toilet pan before installation, no claims will be accepted after installation is completed.

TO THE INSTALLER:

1. Remove pan from box and ensure all required items are present
2. Ensure all requirements of AS 1428 are met
3. Place toilet pan in position on finished floor, remove side panels and mark fixing hole positions on floor
4. Remove pan and drill fixing holes (M10 for use with provided Dynabolts)
5. Replace pan to position, connecting outlet and inlet pipework
6. Fix pan to floor and replace side panels
7. Test pan for flushing adequacy**



** If flush test performance is in-adequate, check flushing device for adequate flow.

TROUBLESHOOTING

For any further assistance with this product please refer to your nearest Zurn Australia office. Find your nearest Zurn Australia office at zurn.com.au or call 1300 00 ZURN.